

Burns and Ferrall Locations

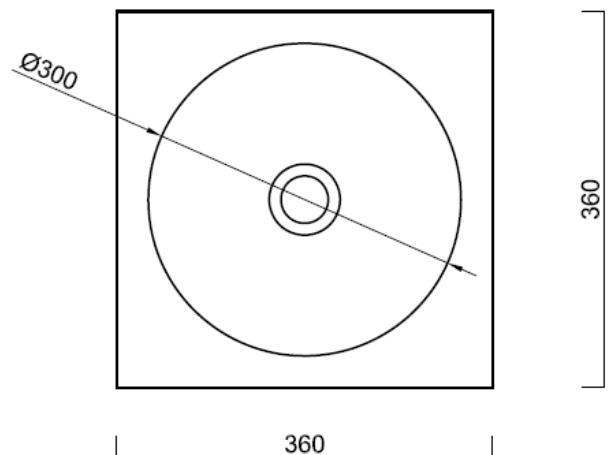
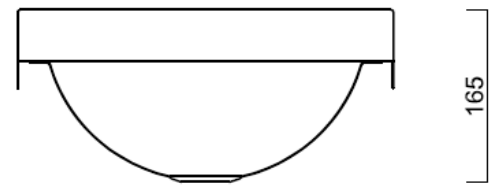
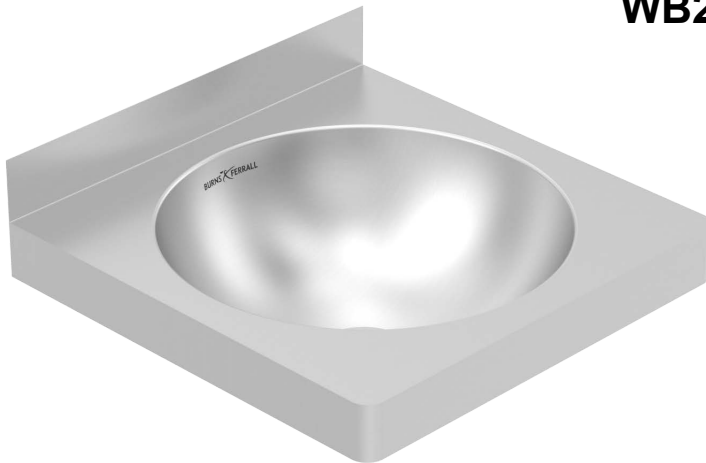
AUCKLAND
12 Reg Savory Place
East Tamaki, Auckland

0800 697 465

WELLINGTON
122-124 Tory Street
Te Aro

HAMILTON
60 Alexandra Street
Central

CHRISTCHURCH
345 St Asaph Street
Christchurch

**Product Specification Sheet
WB2SQ****HAND WASH BASIN****FEATURES**

- Material thickness 0.9mm
- Includes brackets
- 40mm waste outlet, plug & waste included

OPTIONAL EXTRAS

- Replacement brackets - BABR Basin Brackets

DIMENSIONS**BOWL: 300 dia****360 x 360 x 115****CODE: WB2SQ**

E&OE – it is recommended all measurements are taken directly from the product. Specification subject to change without notice, always consult the literature supplied with the product. Coloured images are indicative only.